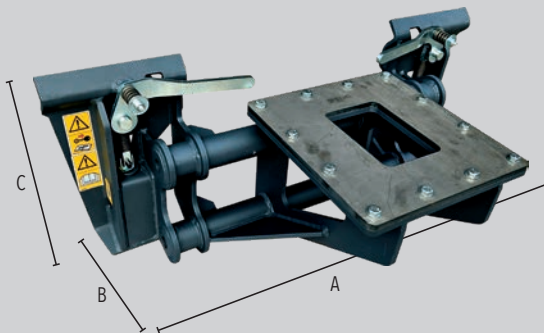




DIMENSIONS



A	Width	1130
B	Depth	500
C	Height	200

The new adaptor plate M3 can be attached to any equipment with skid steer loader coupling even on other operating machines.

In a quick and easy way, any equipment can be moved from the skid loader to an excavator rather than to a telehandler or any other machinery. The best solution for a fast exchange making your job easier. It is equipped with welded coupling for wheel loaders / backhoe loaders/ telehandlers or with bolted counter plate, where the excavator hooks can be welded on.

